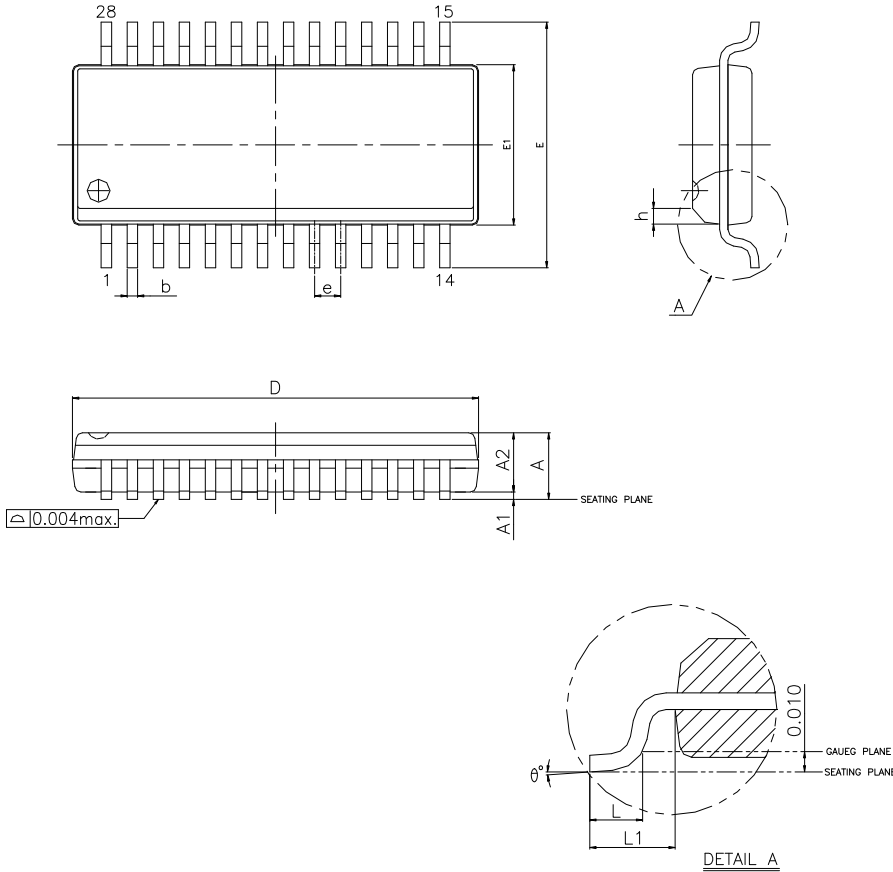




28L SSOP(150mil) Package Outline :



Symbol	Dimension in mm			Dimension in inch		
	Min	Nom	Max	Min	Nom	Max
A	—	—	1.75	—	—	0.069
A1	0.05	—	0.25	0.002	—	0.010
A2	1.30	—	1.50	0.051	—	0.059
b	0.20	—	0.30	0.008	—	0.012
D	9.80	—	10.01	0.386	—	0.394
E1	3.70	—	4.10	0.146	—	0.161
E	5.79	—	6.20	0.228	—	0.244
e	—	0.635	—	—	0.025	—
h	0.25	—	0.50	0.010	—	0.020
L	0.41	—	1.27	0.016	—	0.050
L1	—	1.05	—	—	0.041	—
y	—	—	0.25	—	—	0.010
θ	0°	—	8°	0°	—	8°

Note :

1. Dimension D & E1 do not include mold protrusion.
2. Dimension b does not include dambar protrusion.